

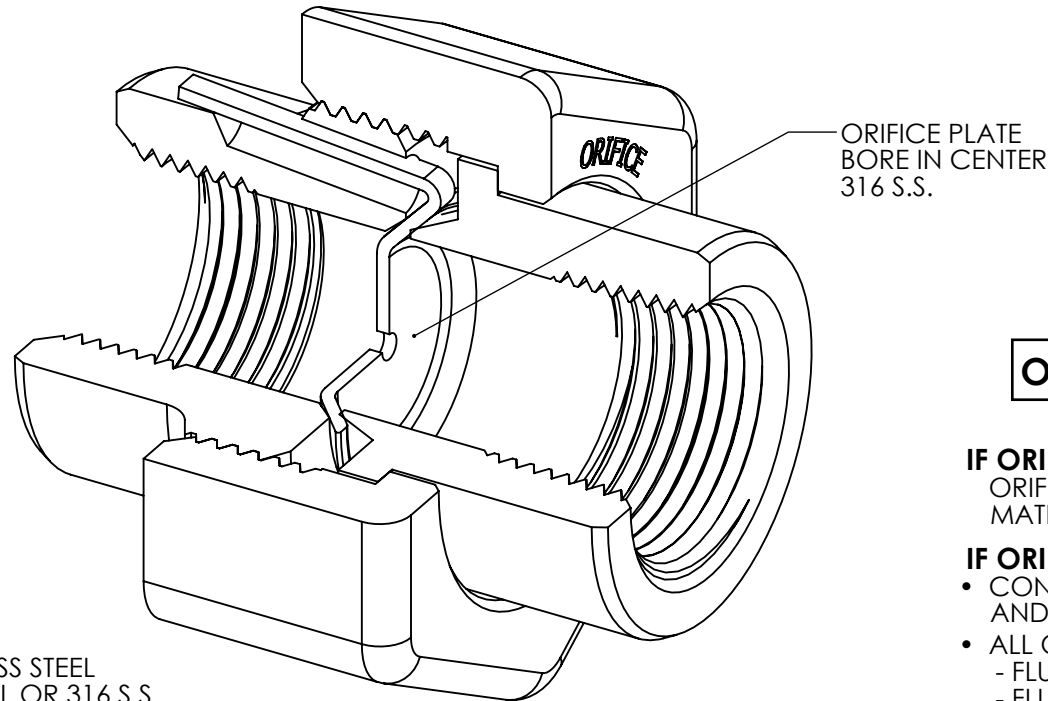
SIZE	
SIZE CODE	SIZE
2	1/4
3	3/8
4	1/2
6	3/4
8	1
10	1 1/4
12	1 1/2
16	2

PART NO. EXAMPLE					
TYPE	ORIFICE	SIZE CODE	ENDS	MATERIAL	PART NO.
ROU	XX (FACTORY CALCULATION)	2 (1/4)	N (NPT)	SS (316 S.S.)	ROU-XX-2-N-SS

ORIFICE
XX - PROVIDE DETAILS FOR FACTORY CALCULATION
YYY - ORIFICE BORE - BY CUSTOMER THREE DECIMAL PLACES (INCH)
e.g. .047 1.200

ENDS
N - NPT
S - SOCKET WELD

MATERIAL
CS - CARBON STEEL
SS - 316 S.S.



SPECIFICATIONS

MATERIALS

ORIFICE PLATE - 316 STAINLESS STEEL
 UNION - A105 CARBON STEEL OR 316 S.S.
 SIZES - 1/4, 3/8, 1/2, 3/4, 1, 1 1/4, 1 1/2, 2
 CONNECTIONS - NPT OR SOCKET WELD

PRESSURE RATING

CARBON STEEL - 3000 psi
 STAINLESS STEEL - 3000 psi

RESTRICTION ORIFICE UNION
- TYPE ROU -

ORDERING INFORMATION

IF ORIFICE SIZE IS KNOWN PROVIDE:
 ORIFICE SIZE, CONNECTION SIZE, UNION MATERIAL, AND CONNECTION TYPE.

IF ORIFICE SIZE IS UNKNOWN PROVIDE:

- CONNECTION SIZE, UNION MATERIAL, AND CONNECTION TYPE.
- ALL OF THE FOLLOWING DATA
 - FLUID TYPE
 - FLUID SUPPLY PRESSURE AND TEMPERATURE
 - PRESSURE DIFFERENTIAL ACROSS ORIFICE
 - REQUIRED FLOW RATE
 - PIPE I.D.

EXTRA PLATES - TO ORDER PLATES ONLY, PROVIDE THE SAME INFORMATION AS REQUIRED ABOVE.



Mailing Address
 P.O. Box Q
 Trumbull CT 06611

Phone 800 533-3285 203 261-6711
Fax 203 261-8331
website www.okcc.com • **e-mail** ws@okcc.com

Location
 4 Maple Drive
 Monroe, CT 06468