

SOLENOID VALVE CONTROL REPEAT CYCLE TIMER

DESCRIPTION

The repeat cycle timer was developed to control solenoid valves or other components that require periodic energization. This simple control unit will periodically energize a solenoid valve to allow flow of a liquid or a gas for an adjustable period of time. The intervals between energization of the valve is called the "dwell time" and is adjustable from 0.1 sec to 33 hours. The "energize time" of the solenoid valve is also adjustable from 0.1 sec to 33 hours.

Easy installation of this control is a notable feature. Just plug in to a 120 v/60 hz outlet and attach the DIN connector to a solenoid valve or other component.

APPLICATION

The repeat cycle timer control can be used to discharge water collected in pipes, tanks, filters or refrigeration dryers in compressed air systems. The solenoid valve opens periodically for a short duration and discharges water into a drain or sump.

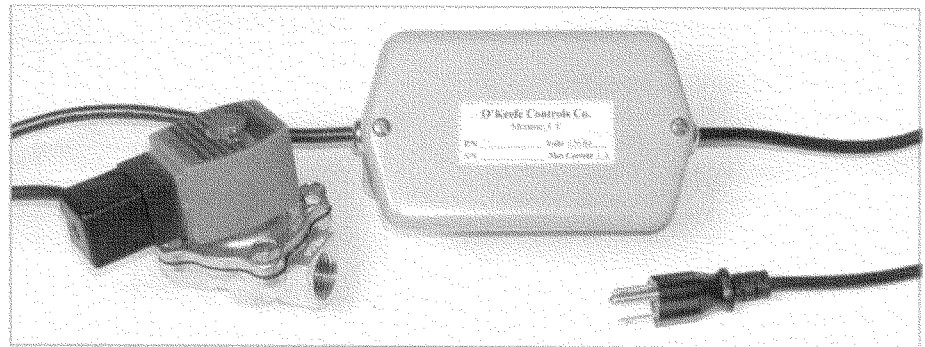
The timing control/solenoid valve is also used for injecting or spraying liquids. Applications include:

- Water spray for produce cooling
- Water injection for makeup in systems consuming water
- Automatic lubrication injection into mechanical systems
- Irrigation and sprinklers

EASY INSTALLATION

The timer assembly (p/n OKC-2117) is equipped with a 3 prong plug and 6 foot cord for easy attachment to a 120 v/60 hz electric outlet. The attachment to a solenoid valve equipped with DIN style connections is accomplished with a mating socket and 6 ft electric cord which pushes onto the spade type terminal. The mating connectors are secured with a single screw. No junction boxes are required for the installation.

For ASCO valves already in place without DIN connectors on the coils, replaceable coils are readily available.



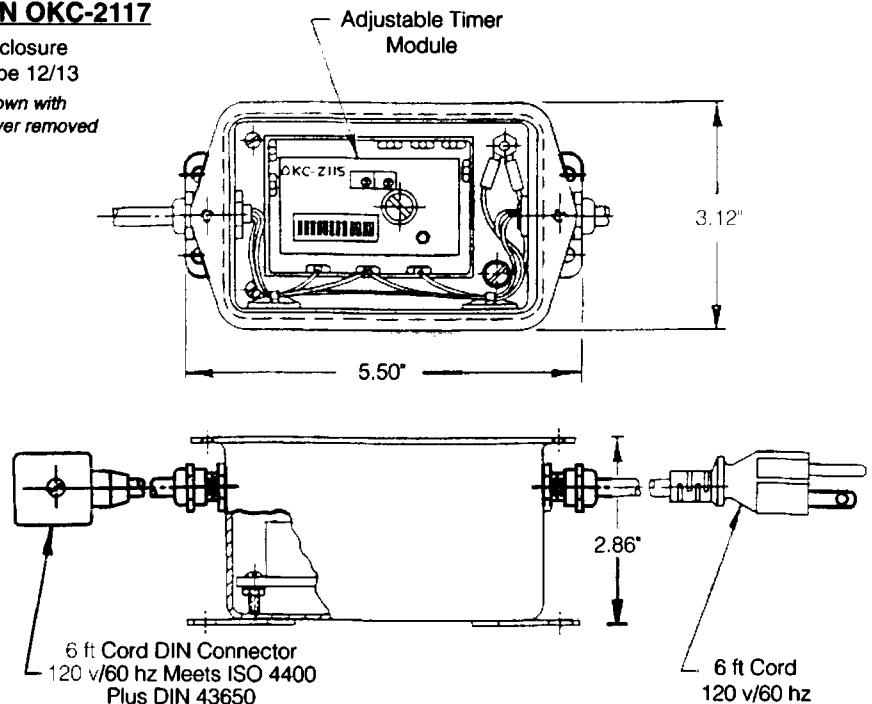
Optional solenoid valve with DIN connection shown attached to Repeat Cycle Timer. Each cord is 6 ft long.

Cycle Timer Assembly

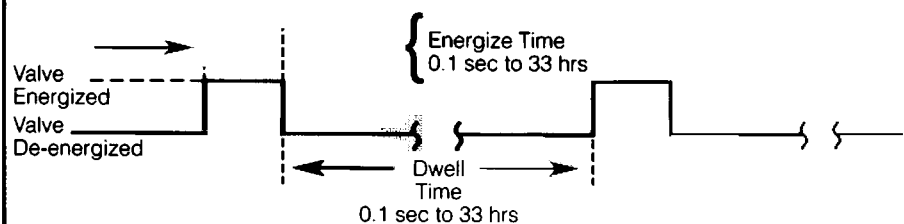
P/N OKC-2117

Enclosure
Type 12/13

shown with
cover removed



Timing Diagram



SOLENOID VALVE TIMING CONTROLS

SPECIFICATIONS

Repeat Cycle Timer

P/N OKC-2117

Supply Power – 120 v/60 hz

Supply Cord and Plug – 6 ft/3 prong

Output Power – 120 v/60 hz
1 amp

Output Cord/Connector – 6 ft

DIN Connector 43650

Also ISO 4400

Timer Enclosure – Type 12/13

Enclosure Dimensions –

5-1/2" x 3-1/8" x 2-7/8"

Timer – Solid State Construction

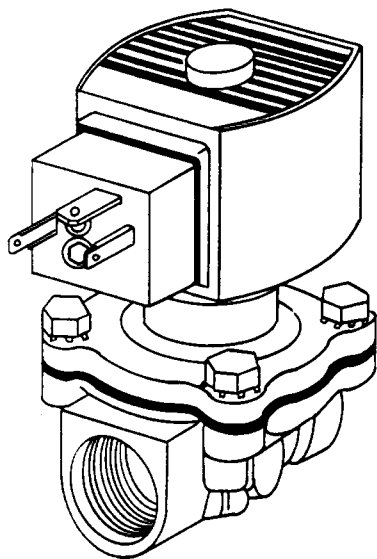
All connections are spade terminals

Timing Periods – Adjustable

Energize Time 0.1 sec to 33 hrs

Dwell Time 0.1 sec to 33 hrs

SOLENOID VALVE WITH DIN CONNECTOR



DIN connection on coil mates with connector on timer cord.

ORDERING INFORMATION

Cycle Timer Assembly

Part Number OKC-2117

Timing Module Only

Part Number OKC-2115

Cycle Timer – Complete with Solenoid Valve

See chart at upper right for part number.

VALVE AND TIMER ASSEMBLY

The timer assembly (p/n OKC-2117) will operate virtually all ASCO solenoid valves. Listed below are part numbers for a complete valve and timer package for a select number of 2-way valves.

VALVE SPECIFICATIONS

Brass Body • Buna-N Seals

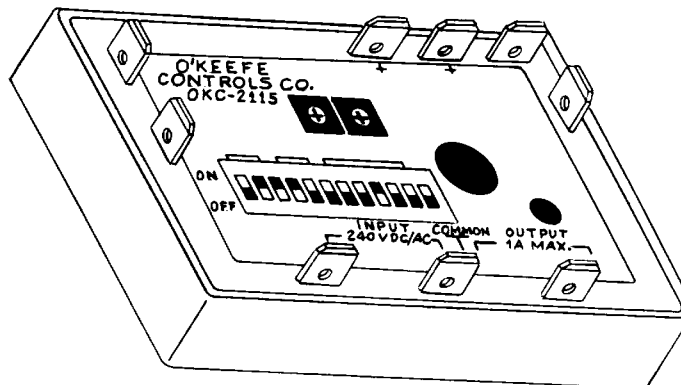
Part Number Includes
Timer and Valve

PART NUMBER*	PIPE SIZE (IN.)	TYPE	DIFFERENTIAL PRESSURE PSIG		FLUID TEMP. MAX. °F	CV FLOW FACTOR	COIL WATT RATING
			MIN.	MAX.			
OKC-2117/1G212	1/4	N.C.	0	100	180	.88	17.1
OKC-2117/1G262	1/4	N.O.	0	100	180	.35	10.1
OKC-2117/100G1	3/8	N.C.	5	150	180	3.0	6.1
OKC-2117/10G93	3/8	N.C.	0	150	180	3.0	10.1
OKC-2117/10G33	3/8	N.O.	0	150	180	3.0	10.1
OKC-2117/100G2	1/2	N.C.	5	150	180	4.0	6.1
OKC-2117/10G94	1/2	N.C.	0	150	180	4.0	10.1
OKC-2117/10G34	1/2	N.O.	0	150	180	4.0	10.1
OKC-2117/100G3	3/4	N.C.	5	150	180	6.5	6.1
OKC-2117/10G95	3/4	N.C.	0	150	180	5.0	10.1
OKC-2117/10G35	3/4	N.O.	0	150	180	5.5	10.1
OKC-2117/100G4	1	N.C.	5	150	180	13	6.1
OKC-2117/100G8	1-1/4	N.C.	5	150	180	15	6.1
OKC-2117/10G22	1-1/2	N.C.	5	150	180	22	6.1
OKC-2117/1G100	2	N.C.	5	125	180	43	6.1

*Above part numbers for 120 v/60 hz

Timing Module Only

P/N OKC-2115



Dimensions 3" x 2" x 7/8"

SPECIFICATIONS

Supply Voltage –

12-240 VAC

12-240 VDC

Output Current – 1 amp max

Repeat Accuracy – ±0.1% or 10 ms (whichever is greater)

Terminals – Spade

Fax (203) 261-8331

e-mail ca@okcc.com

Mailing Address

P.O. Box Q

Trumbull, CT 06611

Toll Free Phone (800) 533-3285

O'Keefe Controls Co.

© O'Keefe Controls Co. 2002 All Rights Reserved

CT Phone (203) 261-6711

website www.okcc.com

Location

4 Maple Drive

Monroe, CT 06468

FORM OK-253