



MAGNETIC SENSING VALVE

DESCRIPTION

The magnetic sensing valve detects the presence of a magnet or steel part in its near vicinity. The 3-way normally closed air valve is actuated when in the presence of a small magnet or steel part. The valve deactuates when the small magnet or steel part is removed.

FEATURES

- Non-contact sensing
- Non-ferrous material can be interposed between sensor and sensed part
- Range is greater than 1/16" (varies with part geometry)
- Explosion proof (only air or inert gas used in valve)
- Rapid response time
- Repeatability of switch point (less than .010")

APPLICATIONS

- Used as limit sensor on air or hydraulic cylinders with magnetic piston
- Detecting lobe position on rotating cam
- Steel wire presence or breakage
- Alternate to reed switches
- Detection of electromagnetic fields

ORDERING INFORMATION

Description	Part Number
Sensing Valve	OKC-1587
Cylinder Band	OKC-1688
5/32" OD x 3/32" ID Tubing (65 feet)	OTU0425G20
Male Connector 10-32 x 5/32" OD	OKQ2H03-32
Male Connector 1/8" NPT x 5/32" OD	OKQ2H03-34S

SPECIFICATIONS

VALVE

Type – 2 position, 3-way normally closed; actuated by magnet or steel part

Media – dry, oil free compressed air or inert gas

Filtration – 5 micron

Pressure Limit – 30 to 100 psig

Temperature – +35° to 140 °F

Valve Orifice – .080" diameter

Air Flow – No continuous air flow usage when valve deactuated

Connections – Barbs for 3/32" ID tubing

Indicator – 1/16" blue indicator extends outward (approximately 1/16" stroke) when valve actuated

Materials of Construction

Switch Body – Plastic

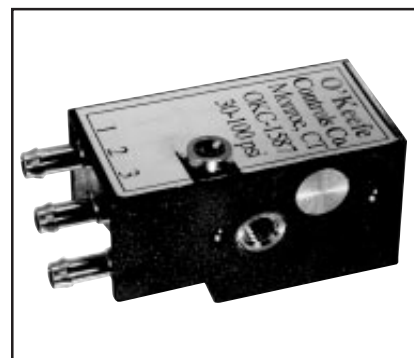
Barbs – Brass

SENSING CHARACTERISTICS

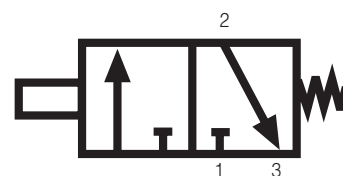
Range – Greater than 1/16". Varies with part size and geometry

Part Size Detectable – Senses wire diameter down to .040"

Position Repeatability – Less than .010" of switch point



AIR VALVE SYMBOL



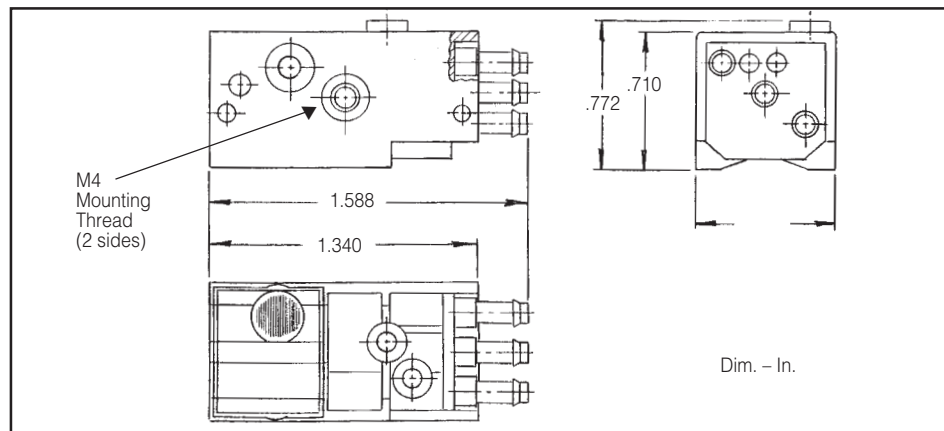
Valve Deactuated

Pressure Port #1 is blocked. Vent Port #3 is connected to Output Port #2.

Valve Actuated

Pressure Port #1 is connected to Output Port #2. Vent Port #3 is blocked.

DIMENSIONS



Form OK-248

Fax (203) 261-8331
e-mail ca@okcc.com
Mailing Address
P.O. Box Q
Trumbull, CT 06611

Toll Free Phone (800) 533-3285



© O'Keefe Controls Co. 1999 All Rights Reserved

CT Phone (203) 261-6711
website www.okcc.com
Location
4 Maple Drive
Monroe, CT 06468